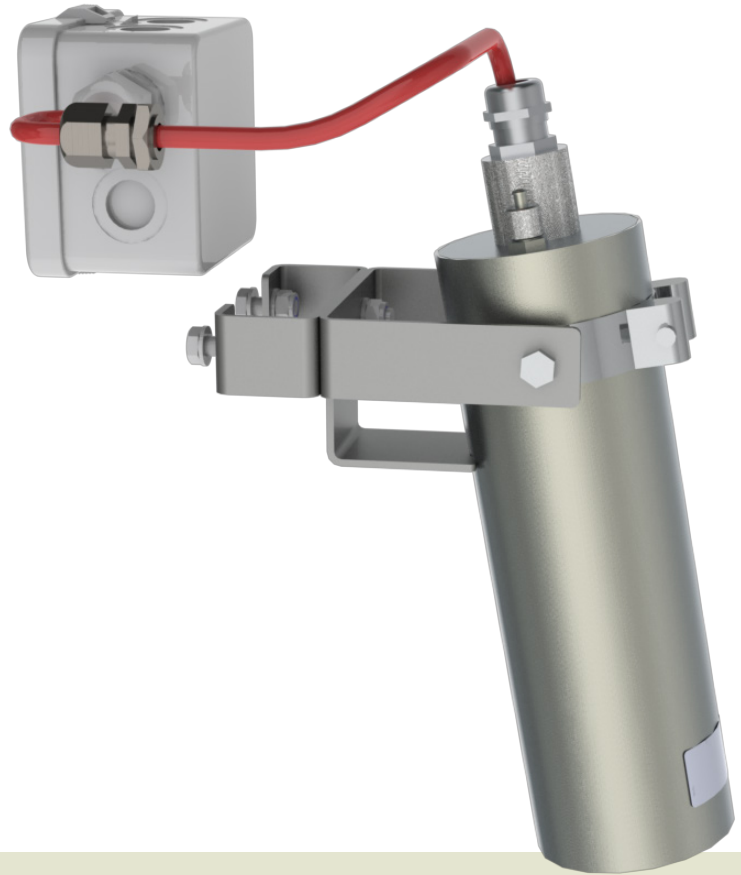
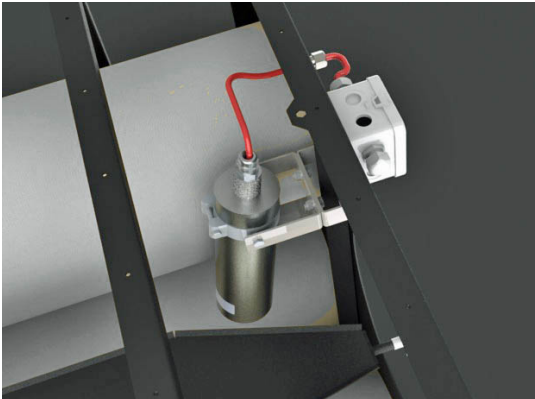


FLAME GUARDIAN™

GUARDIAN™ FIRE SAFETY SOLUTIONS FOR FUME CONTROL SYSTEMS



KEY FEATURES

The aerosol fire extinguishing generator is a non-toxic, non-corrosive compact fire suppression system for mounting in a fume control system. The environmentally neutral and maintenance free generator enhances the mass of the extinguishable area. Filter volume of the Flame Guardian determines the amount of aerosol contained in the generator.

Recommended for applications with an increased fire risk, such as:

- » Manual, robotic and automatic welding of oily and stamped products
- » Cutting tables
- » Schools and other areas with risk of cigarette butts

Processes »

Stick, TIG, MIG, Flux-Cored, Plasma Cutting, Grinding⁽¹⁾

Product Number »

AD1387-55 Flame Guardian 200
AD1387-56 Flame Guardian 500

Approvals/Certificates »



⁽¹⁾ Not suitable for grinding Aluminum, Magnesium or other explosive materials

SPECIFICATIONS

» **Dimensions (excl. bracket):**

Flame Guardian™ 200:

L = 7.3 in. (185 mm); D = 3.3 in. (84 mm)

Flame Guardian 500:

L = 11.5 in. (293 mm); D = 3.3 in. (84 mm)

» **Weight (excl. bracket):**

Flame Guardian 200: 3.3 lb (1.5 kg)

Flame Guardian 500: 5.9 lb (2.7 kg)

» **Bracket Material:** Sheet Metal

» **Mass of Extinguishing Material:**

Flame Guardian 200: 0.44 lb (0.2 kg)

Flame Guardian 500: 1.1 lb (0.5 kg)

» **Activation Modes:**

By Fire Detection Panel

Self-Activating at 572° F (300° C)

» **Activator:**

Heating Element with 2.3 Ω Resistance

» **Testing Current:** Max. 5 mA

» **Operation Discharge Time:** 5-10 seconds

» **Discharge Outlet:** 1

» **Discharge Length:**

Flame Guardian 200: 6.6 ft (79.2 in)

Flame Guardian 500: 8.2 ft (98.4 in)

» **Fire Classes:**

USA (NFPA 10): A, B, C, K

» **Storage Conditions:**

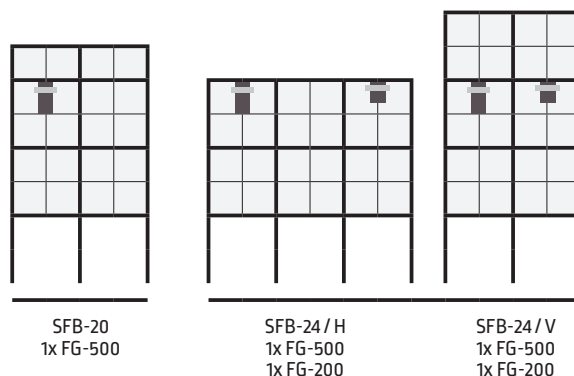
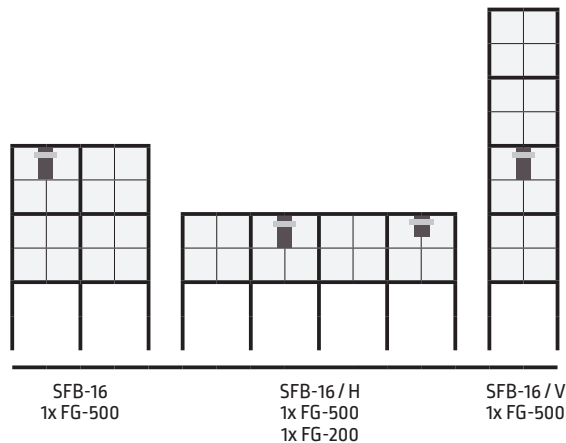
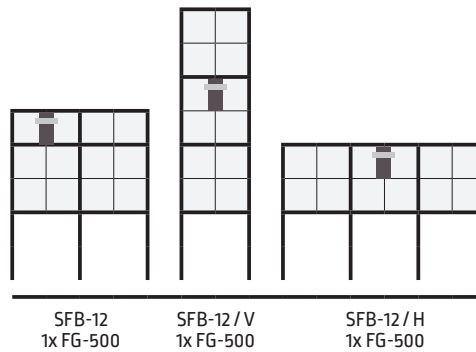
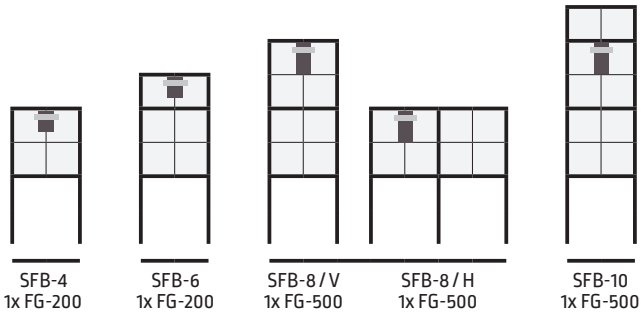
Temperature:

-58° F [-50° C] to 212° F (100° C)

Relative Humidity: Max. 98%

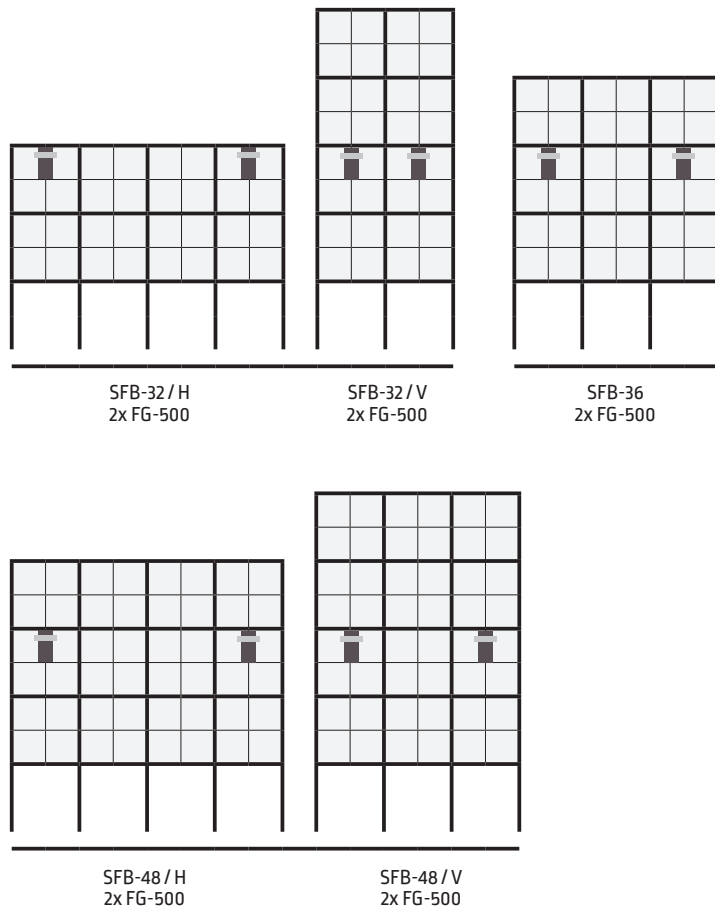
POSSIBLE STATIFLEX® FILTER BANK CONFIGURATIONS WITH FLAME GUARDIAN™

The number and type of Flame Guardian aerosol fire extinguishing generators per filter is calculated by certified personnel in conformity with BRL-KZ 3003 and NFPA 2010, based on filter class A, E, safety factor 1.3 and minimum concentration of 55.29 g/m² effective component.



POSSIBLE STATIFLEX® FILTER BANK CONFIGURATIONS WITH FLAME GUARDIAN™ (CONT'D.)

The number and type of Flame Guardian aerosol fire extinguishing generators per filter is calculated by certified personnel in conformity with BRL-KZ 3003 and NFPA 2010, based on filter class A, E. safety factor 1.3 and minimum concentration of 55.29 g/m² effective component.



The operation of welding fume control equipment is affected by various factors including proper use and positioning of the equipment, maintenance of the equipment and the specific welding procedure and application involved. Worker exposure level should be checked upon installation and periodically thereafter to be certain it is within applicable OSHA PEL and ACGIH TLV limits.

CUSTOMER ASSISTANCE POLICY

The business of The Lincoln Electric Company® is manufacturing and selling high quality welding equipment, consumables, and cutting equipment. Our challenge is to meet the needs of our customers and to exceed their expectations. On occasion, purchasers may ask Lincoln Electric for information or advice about their use of our products. Our employees respond to inquiries to the best of their ability based on information provided to them by the customers and the knowledge they may have concerning the application. Our employees, however, are not in a position to verify the information provided or to evaluate the engineering requirements for the particular weldment. Accordingly, Lincoln Electric does not warrant or guarantee or assume any liability with respect to such information or advice. Moreover, the provision of such information or advice does not create, expand, or alter any warranty on our products. Any express or implied warranty that might arise from the information or advice, including any implied warranty of merchantability or any warranty of fitness for any customers' particular purpose is specifically disclaimed.

Lincoln Electric is a responsive manufacturer, but the selection and use of specific products sold by Lincoln Electric is solely within the control of, and remains the sole responsibility of the customer. Many variables beyond the control of Lincoln Electric affect the results obtained in applying these types of fabrication methods and service requirements.

Subject to Change – This information is accurate to the best of our knowledge at the time of printing. Please refer to www.lincolnelectric.com for any updated information.