

FUME DOESN'T STAND A CHANCE

WELD FUME CONTROL



Durable Fume Extraction Arms

Designed with the welder in mind, Lincoln Electric® flexible extraction arms are light weight, dent and scratch resistant. Constructed with a balance system for stability, the arms can be placed in a fixed position easily. The 360° rotatable hood can be positioned at the welding arc to quickly capture fumes, while the baffle controls airflow.

- » Position rotatable hood in any direction to capture fumes
- » Automatic on/off operation with arc sensor
- » Dent and scratch resistance for minimal maintenance

Processes »

Stick, TIG, MIG, Flux-Cored, Pulsed

Product Number »

Wall-Mount Fume Extraction Arms

LFA 2.0	K1655-12
LTA 2.0	K1655-10
LTA 2.0-CW	K1655-14
LFA 3.1	K1655-8
LFA 4.1	K1655-9
LFA 4.1-LC ¹	K1655-13

Mobiflex® Fume Extraction Arms

LFA 3.1	K2633-5
LFA 3.1 with arc sensor/lamp kit	K2633-6
LFA 4.1	K2633-7
LFA 4.1 with arc sensor/lamp kit	K2633-8

¹ LC Model designed for low ceiling applications.



FUME EXTRACTION REACH

A correctly positioned extraction arm effectively draws welding fume particulate away from the welder and helps to reduce the amount of residual fume particulate that often lingers within a facility. The charts demonstrate the overall reach of each arm.

Figure 1 - Mobiflex Extraction Arm Reach

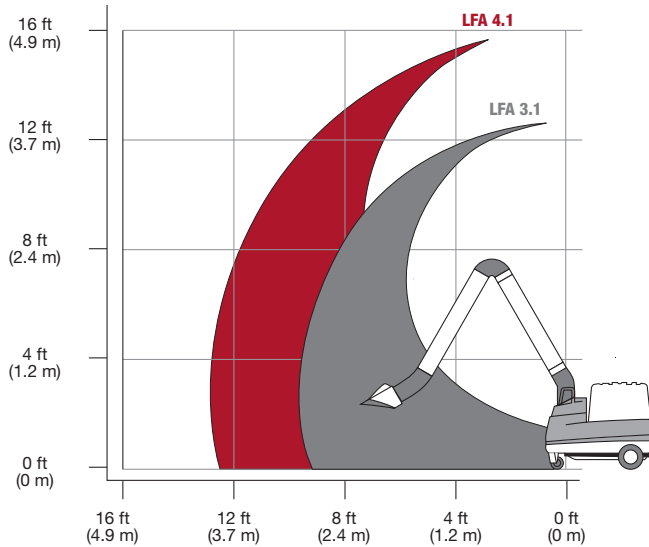
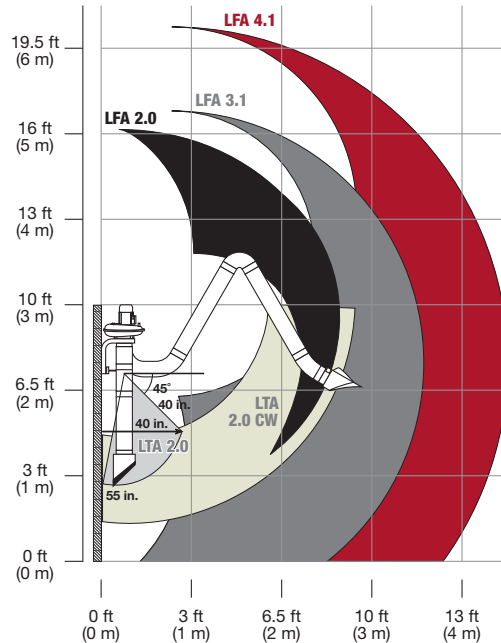


Figure 2- Wall-Mount Extraction Arm Reach
*LFA 4.1LC Arm not shown



RECOMMENDED ACCESSORIES FOR WALL-MOUNT FUME EXTRACTION ARMS ONLY



SF2400 Stationary Fan
The 1 HP, 115/1/60 fan has self-cleaning concave blades and provides an unrestricted airflow of 1200 CFM. Requires a mounting bracket.
Order
K1656-9 (230V)
K2497-13 (230V)



Arc Sensor/Lamp Kit
Mounted in the lamp housing, the arc sensor turns the fan on when sensing the arc flash, and turns off 50 seconds after the arc ends. Hood mounted switches turn the unit on and off independently of the arc sensor. Kit includes lamp housing with arc sensor, control box, interconnect wire, hood mounted lamp/fan switch and instruction manual.
Order
K1669-4 for SF2400 Stationary Fan
K1669-10 for SF4200 Stationary Fan



SF2400/SF4200 Starter Overload Switch for 230V Provides simple on/off operation when an Arc Sensor/Lamp Kit is NOT used.
Order
K1494-3 for SF2400 Stationary Fan
K1494-10 for SF4200 Stationary Fan



SF2400 Wall Mounting Bracket
Use K1657-1 Wall Mounting Bracket with LFA 3.1 and 4.1. Use K1657-2 with LTA 2.0, LFA 2.0, and LFA 4.1-LC.
Order
K1657-1 for LFA 3.1 and 4.1
K1657-2 for LTA 2.0, LFA 2.0, and LFA 4.1-LC



EC2 - 7 ft. (2.1 m) and EC 4 - 14 ft. (4.3 m) Extension Cranes
For large work areas. Extend your reach 7 ft. (2 m) or 14 ft. (4 m). A side-to-side hinge has a unique spring controlled lock to hold the arm in place for steady positioning. Each crane includes support boom, mounting plate, 8 in. (203 mm) tubing, flexible hose, and mounting brackets.
Order
K1671-1 for EC2
K1671-2 for EC4



SF4200 Stationary Fan
The 2 HP, 230/3/60 fan has self-cleaning concave blades and provides an unrestricted airflow of 1750 CFM. Includes integrated provision for mounting to a vertical surface.
Order
K1656-4



230V Conversion Kit for SF2400 Fan
Provides 230V operation of SF2400 Stationary Fan when using Arc Sensor/Lamp Kit.
Order
K1750-1



SF2400 Starter Overload Switch for 115V
Provides simple on/off operation when an Arc Sensor/Lamp Kit is NOT used.
Order
K1494-2



Connector, 8 in (203.2 mm) Duct to Extractor Arm. Not for use with LTA 2.0 3.0-4.5 FT Telescopic Standard Fume Extraction Arm (K1655-10)
Order
K1657-5

PRODUCT SPECIFICATIONS WALL-MOUNT ARMS

Product Name	Product Number	Arm Length ft (m)	Nominal Arm Diameter in (mm)	Extraction Capacity Range CFM (M3/H)	Weight lb (kg)
LFA 2.0	K1655-12	6.5 (2.0)	8 (203.2)	350-940 CFM (600-1600) ^[2]	33 (15)
LTA 2.0 Telescopic	K1655-10	Retracts from 3-4.5 (1-1.5)			15.4 (7)
LTA 2.0-CW Telescopic	K1655-14	Retracts from 5-8.2 (1.5-2.5)			59.5 (27)
LFA 3.1	K1655-8	10 (3.1)			33 (15)
LFA 4.1	K1655-9	13 (4.1)			37 (16.7)
LFA 4.1-LC ¹	K1655-13				33 (15)

PRODUCT SPECIFICATIONS MOBIFLEX ARMS

Product Name	Product Number	Arm Length ft (m)	Nominal Arm Diameter in (mm)	Extraction Capacity Range CFM (M3/H)	Weight lb (kg)
LFA 3.1	K2633-5	10 (3.1)	8 (203.2)	350-940 CFM (600-1600) ^[2]	33 (15)
LFA 3.1 with arc sensor/lamp kit	K2633-6				34 (15.4)
LFA 4.1	K2633-7	13 (4.1)			37 (16.7)
LFA 4.1 with arc sensor/lamp kit	K2633-8				38 (17)

[1] LC Model designed for low ceiling applications

[2] Depends on equipment and filter type

The operation of welding fume control equipment is affected by various factors including proper use and positioning of the equipment, maintenance of the equipment and the specific welding procedure and application involved. Worker exposure level should be checked upon installation and periodically thereafter to be certain it is within applicable OSHA PEL and ACGIH TLV limits.

CUSTOMER ASSISTANCE POLICY

The business of The Lincoln Electric Company® is manufacturing and selling high quality welding equipment, consumables, and cutting equipment. Our challenge is to meet the needs of our customers and to exceed their expectations. On occasion, purchasers may ask Lincoln Electric for information or advice about their use of our products. Our employees respond to inquiries to the best of their ability based on information provided to them by the customers and the knowledge they may have concerning the application. Our employees, however, are not in a position to verify the information provided or to evaluate the engineering requirements for the particular weldment. Accordingly, Lincoln Electric does not warrant or guarantee or assume any liability with respect to such information or advice. Moreover, the provision of such information or advice does not create, expand, or alter any warranty on our products. Any express or implied warranty that might arise from the information or advice, including any implied warranty of merchantability or any warranty of fitness for any customers' particular purpose is specifically disclaimed.

Lincoln Electric is a responsive manufacturer, but the selection and use of specific products sold by Lincoln Electric is solely within the control of, and remains the sole responsibility of the customer. Many variables beyond the control of Lincoln Electric affect the results obtained in applying these types of fabrication methods and service requirements.

Subject to Change – This information is accurate to the best of our knowledge at the time of printing. Please refer to www.lincolnelectric.com for any updated information.

The Lincoln Electric Company
22801 St. Clair Avenue · Cleveland, OH · 44117-1199 · U.S.A.

www.lincolnelectric.com